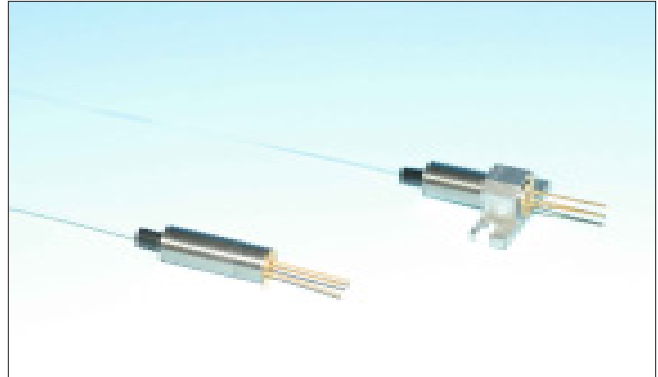


# Power Monitor PIN Photodiode

## Applications:

Monitor for Amplifier/Telecommunication System  
 DWDM Channel Monitoring  
 PON System Monitoring



## Features:

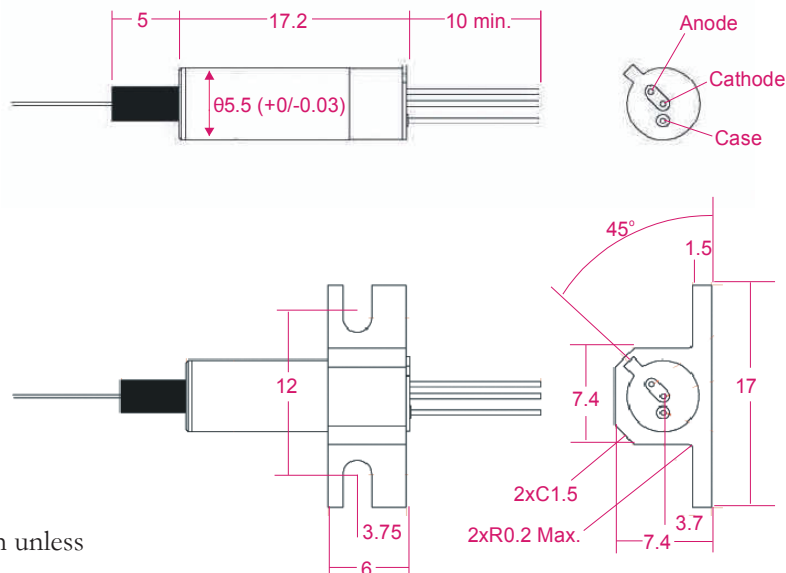
Epoxy-Free Optical Path  
 High Return Loss  
 Low Dark Current

Exceptionally Stable and Reliable  
 Dual Window Version Available

## Description:

Go!Foton's Power Monitor PIN Photodiode, assemblies are designed for optical network channel monitoring applications. The hermetically sealed InGaAs photo detector has a low dark current and a flat and rapid power response across a wide wavelength range. This product is available with mounting brackets(Flange) to ease board assembly.

## Dimensions:



Dimensions are in mm unless otherwise noted.

## Specifications:

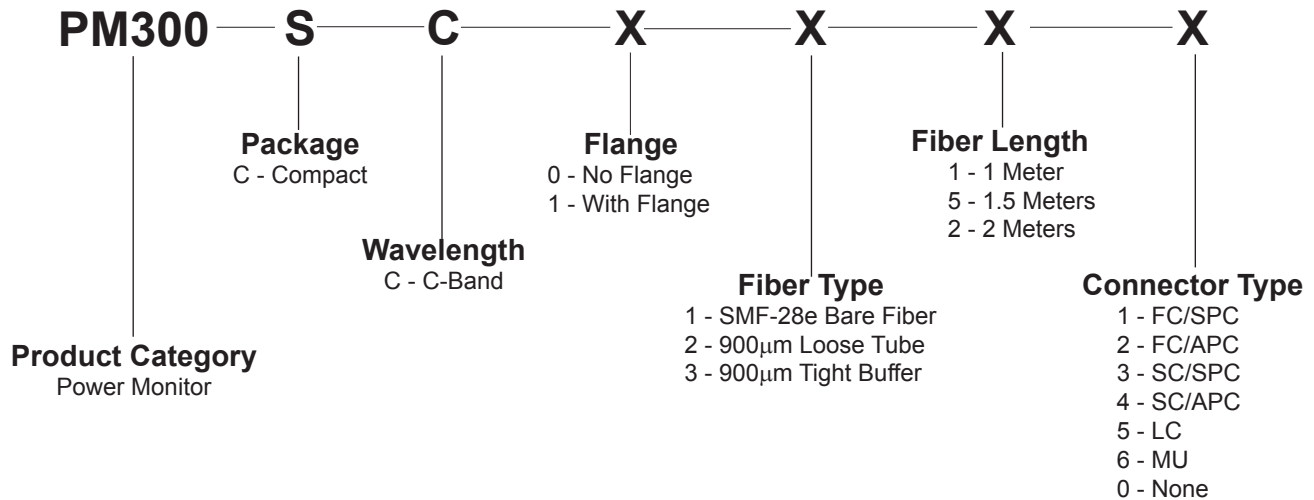
Absolute Maximum Rating	Parameter	Specification
	Reverse Voltage (V)	20
	Forward Current (mA)	25
	Reverse Current (mA)	5
	Operating Case Temperature (°C)	-40 to +85
	Storage Temperature (°C)	-40 to +85
	Lead Soldering Temperature (°C)	250 (10sec, 2mm from case)

Electro-Optical Characteristics (Reverse Bias VR = 5V)	Parameter	Min.	Typ.	Max.
	Operating Wavelength (nm)	1525		1565
	Responsivity (A/W)	0.80		
	Return Loss (dB)	45		
	Dark Current @25°C, Vr=5V (nA)			5
	Capacitance (pF)			12
	Bandwidth (MHz)		300	
	Polarization Dependent Responsivity (dB)			0.1

Packaging	Parameter	Specification
	Fiber Type	SMF-28e or Equivalent
	Fiber Length (mm)	>1000
	Connector	None
	Package Size (mm)	( $\phi$ )5.5 x (L)17.2 [22.2]

All specifications are measured without fiber connectors.

## Ordering Information:



**Example:** PM300-S-C-0-1-1-0  
Power Monitor PIN Photodiode Pigtail Assembly, C-Band Operating Wavelength, No Flange, SMF-28e Bare Fiber, 1 Meter in Length with No Connector.

Document # - GF-S-MKT-PM-REV4-09-09